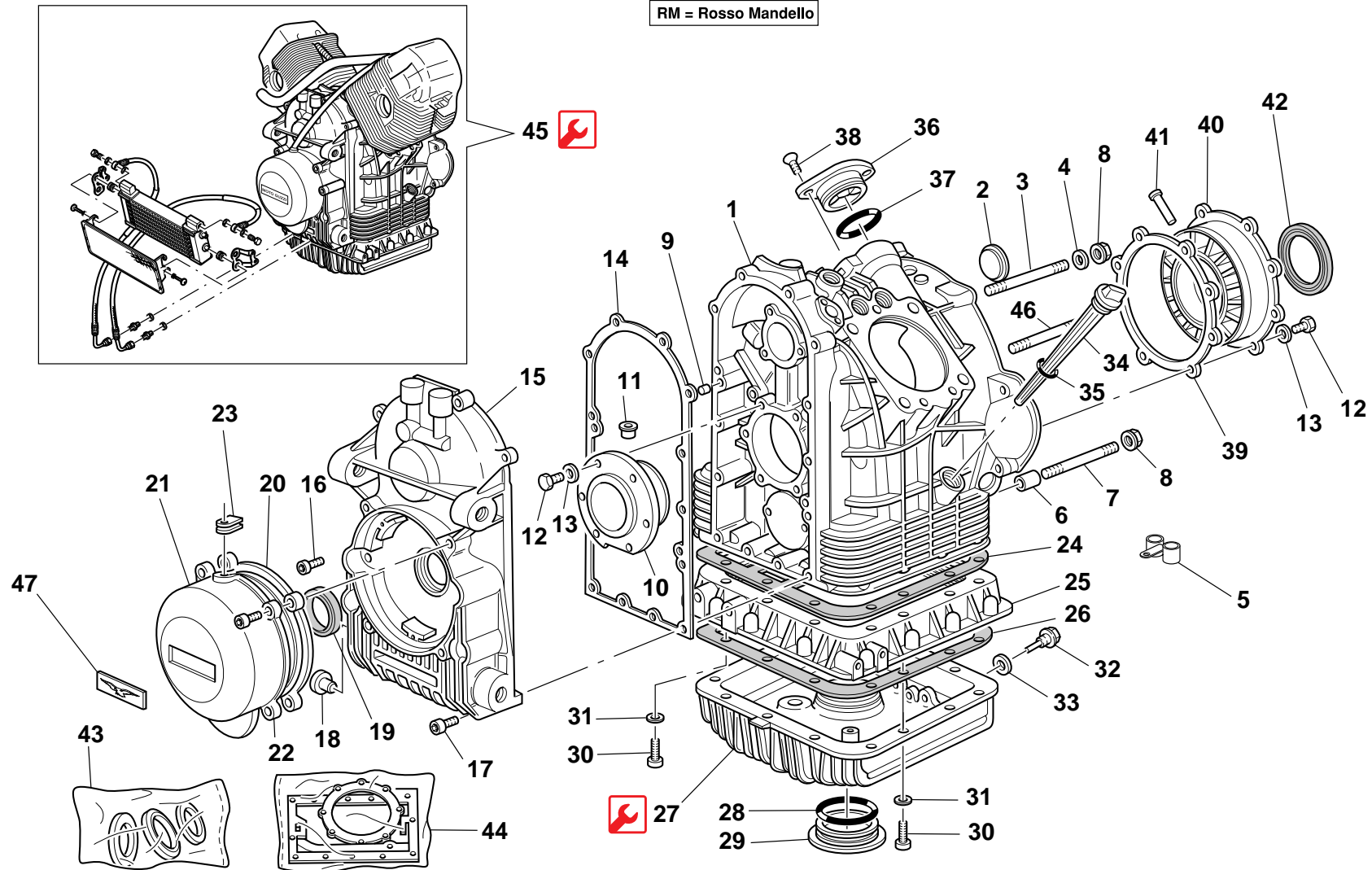


RM = Rosso Mandello



Notes POS. No. CODE No. Q.TY DESCRIPTION